

QOTL03PM



QUAI D'ORSAY

ODETTE TABLE LIGHT, SMALL

Designed by Jean-Louis Deniot, 2026



ITEM NUMBER QOTL03PM

The fruit of a long-standing artistic collaboration between Jean-Louis Deniot and an exceptional ceramic artist, the Odette table lamp is a one-of-a-kind work of art, perfected through exchange between artisan and designer.

DESCRIPTION &
PRODUCTION

- Handmade ceramic base, raku glaze,
- Handmade, fabric lampshade, with contrasting tape.

- Made in France,
- Made to order, each piece is signed and numbered,
- Each piece is handmade and unique, slight variances will occur.

quaidorsay.com

QOTL03PM

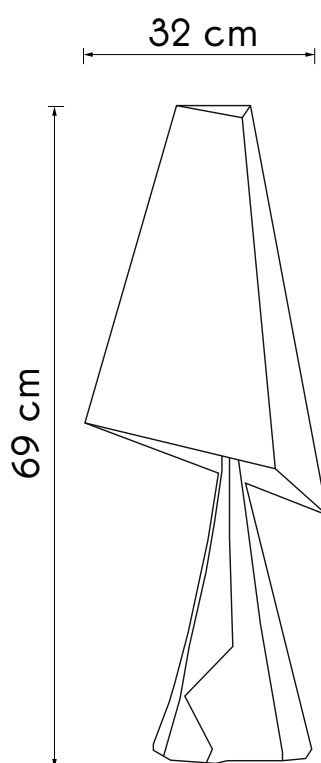
MATERIALS & AVAILABLE FINISHES

MATERIALS

- *Ceramic, raku glaze*
- *Fabric*

AVAILABLE FINISHES

- *Selection of ceramic finishes available*
- *Other lampshade finishes available upon request*



DIMENSIONS

WIDTH 32 cm

DEPTH 32 cm

HEIGHT 69 cm

ELECTRICAL

LIGHT BULB E27

For more information, click [here](#)

APPROX. PRODUCT WEIGHT

WEIGHT 3 kg

APPROX. PACKAGING DIMENSIONS

PARCELS 2

W x D x H cm 30 x 30 x 50

W x D x H cm 45 x 45 x 65

TOTAL WEIGHT 10 kg