

QOTL03GM



QUAI D'ORSAY

ODETTE TABLE LIGHT, LARGE

Designed by Jean-Louis Deniot, 2026



ITEM NUMBER QOTL03GM

The fruit of a long-standing artistic collaboration between Jean-Louis Deniot and an exceptional ceramic artist, the Odette table lamp is a one-of-a-kind work of art, perfected through exchange between artisan and designer.

DESCRIPTION &
PRODUCTION

- *Handmade ceramic base, raku glaze,*
- *Handmade, fabric lampshade, with contrasting tape.*

- *Made in France,*
- *Made to order, each piece is signed and numbered,*
- *Each piece is handmade and unique, slight variances will occur.*

quaidorsay.com

QOTL03GM

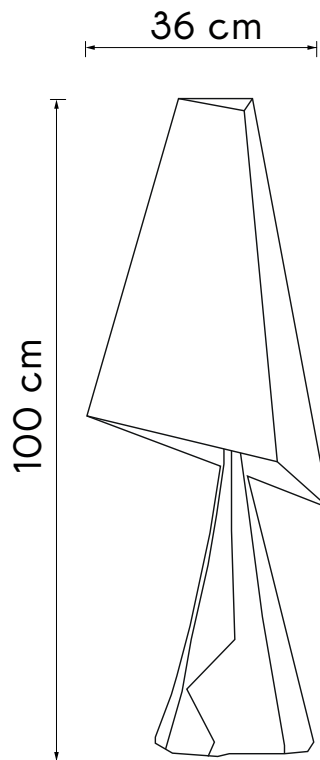
MATERIALS & AVAILABLE FINISHES

MATERIALS

- *Ceramic, raku glaze*
- *Fabric*

AVAILABLE FINISHES

- *Selection of ceramic finishes available*
- *Other lampshade finishes available upon request*



DIMENSIONS

WIDTH 36 cm
DEPTH 36 cm
HEIGHT 100 cm

APPROX. PRODUCT WEIGHT

WEIGHT 6 kg

APPROX. PACKAGING DIMENSIONS

PARCELS 2

ELECTRICAL

W x D x H cm 40 x 40 x 75

LIGHT BULB E27

W x D x H cm 50 x 50 x 80

For more information, click [here](#)

TOTAL WEIGHT 10 kg