

QOST02



QUAI D'ORSAY

OPÉRA OTTOMAN

Designed by Jean-Louis Deniot, 2026



ITEM NUMBER QOST02

A contemporary curule seat in solid oak, revisited by Jean-Louis Deniot.

DESCRIPTION &
PRODUCTION

- *Solid oak structure, cerused finish,*
- *Upholstered seat (1,5 ml fabric).*

- *Made in France,*
- *Made to order, each piece is signed and numbered.*

QOST02

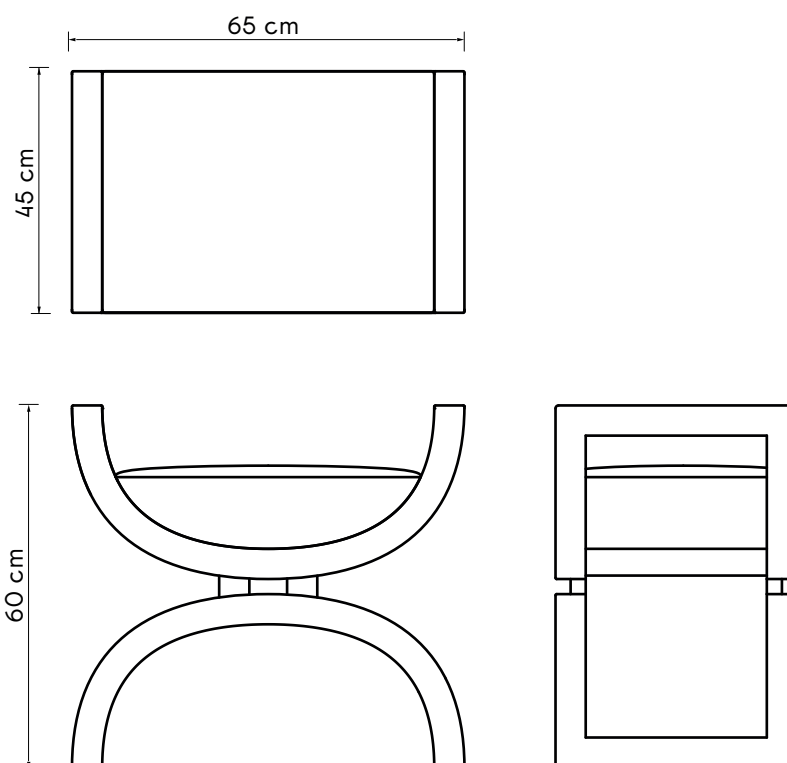
MATERIALS & AVAILABLE FINISHES

MATERIALS

- *Solid oak, cerused finish*
- *Upholstered seat (1,5 ml fabric)*
- *CMHR polyurethane foam*

AVAILABLE FINISHES

- *Fabric: Zimmer & Rohde, Comfy Bouclé or COM*
- *Selection of cerused oak finishes available*



DIMENSIONS

WIDTH 65 cm

DEPTH 45 cm

HEIGHT 60 cm

SEAT HEIGHT 51 cm

APPROX. PRODUCT WEIGHT

WEIGHT 13 kg

APPROX. PACKAGING DIMENSIONS

PARCELS 1

WIDTH 70 cm

DEPTH 55 cm

HEIGHT 75 cm

TOTAL WEIGHT 23 kg