

QOST01



QUAI D'ORSAY

---

## OPÉRA OTTOMAN

Designed by Jean-Louis Deniot, 2026

---



ITEM NUMBER      QOST01

*A contemporary curule seat in solid oak, revisited by Jean-Louis Deniot.*

DESCRIPTION &  
PRODUCTION

- *Solid oak structure, cerused finish,*
- *Upholstered seat (1,5 ml fabric).*
  
- *Made in France,*
- *Made to order, each piece is signed and numbered.*

QOST01

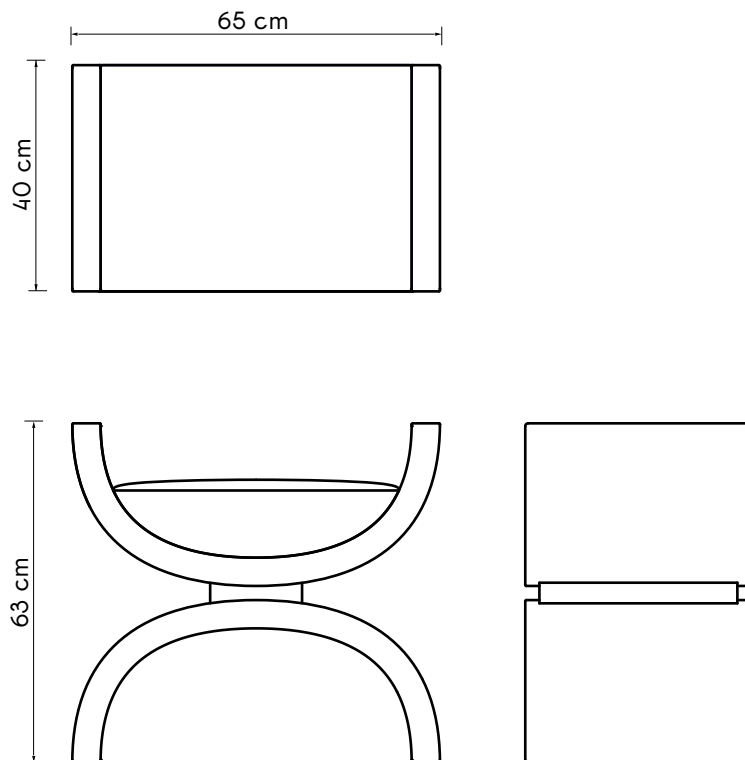
## MATERIALS & AVAILABLE FINISHES

### MATERIALS

- *Solid oak, cerused finish*
- *Upholstered seat (1,5 ml fabric)*
- *CMHR polyurethane foam*

### AVAILABLE FINISHES

- *Fabric: Zimmer & Rohde, Comfy Bouclé or COM*
- *Selection of cerused oak finishes available*



### DIMENSIONS

WIDTH	65 cm
DEPTH	40 cm
HEIGHT	63 cm
SEAT HEIGHT	51 cm

### APPROX. PRODUCT WEIGHT

WEIGHT	20 kg
--------	-------

### APPROX. PACKAGING DIMENSIONS

PARCELS	1
WIDTH	75 cm
DEPTH	50 cm
HEIGHT	75 cm
TOTAL WEIGHT	30 kg