

QOFAU01



QUAI D'ORSAY

ORILLON ARMCHAIR

Designed by Jean-Louis Deniot, 2026



ITEM NUMBER QOFAU01

Low-profile, swiveling lounge chair, designed by Jean-Louis Deniot.

DESCRIPTION &
PRODUCTION

- *Solid oak structure, cerused finish,*
- *Upholstered seat and back (3,6 ml fabric, back/seat 1,5 ml & 2,1 ml),*
- *140° swivel.*

- *Made in Portugal,*
- *Made to order, each piece is signed and numbered.*

QOFAU01

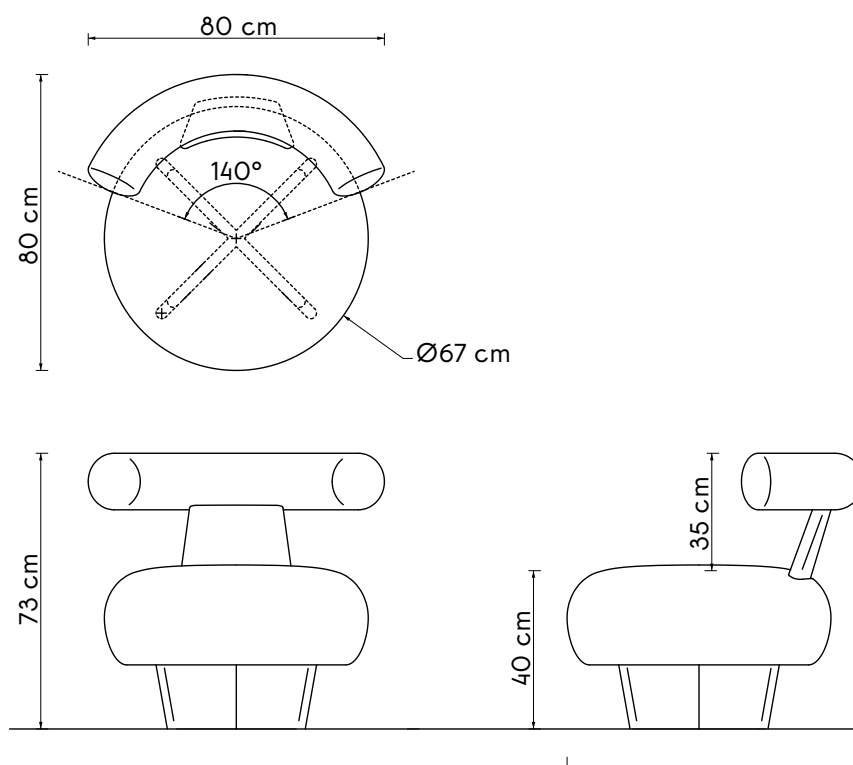
MATERIALS & AVAILABLE FINISHES

MATERIALS

- *Solid oak, cerused finish*
- *Upholstered seat and back (3,6 ml fabric, back/seat 1,5 ml & 2,1 ml)*
- *140° swivel*

AVAILABLE FINISHES

- *Fabric: Casamance, Lierna or COM*
- *Selection of cerused oak finishes available*



DIMENSIONS

WIDTH	80 cm
DEPTH	80 cm
HEIGHT	73 cm
SEAT HEIGHT	40 cm
SEAT WIDTH	67 cm
SEAT DEPTH	67 cm
BACKREST HEIGHT	35 cm

APPROX. PRODUCT WEIGHT

WEIGHT	25 kg
--------	-------

APPROX. PACKAGING DIMENSIONS

PARCELS	1
WIDTH	90 cm
DEPTH	90 cm
HEIGHT	90 cm
TOTAL WEIGHT	30 kg