

QOCT03PM



QUAI D'ORSAY

ORFILA COFFEE TABLE, SMALL

Designed by Jean-Louis Deniot, 2026



ITEM NUMBER QOCT03PM

Brutalist-inspired coffee table with brass structure and textured glass top, designed by Jean-Louis Deniot.

DESCRIPTION & PRODUCTION

- *Backpainted, textured glass top,*
- *Brass base.*

- *Made in Morocco,*
- *Made to order, each piece is signed and numbered.*

quaidorsay.com

QOCT03PM

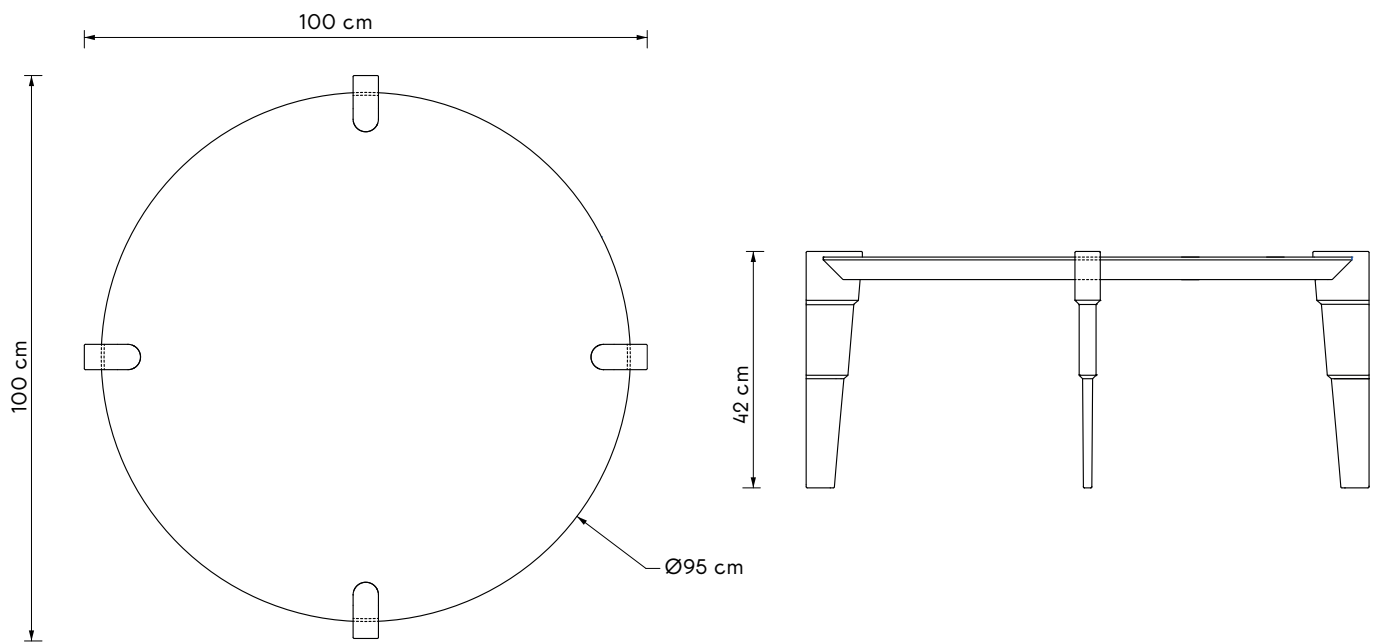
MATERIALS & AVAILABLE FINISHES

MATERIALS

- *Backpainted, textured glass top*
- *Brass base*

AVAILABLE FINISHES

- *Custom colors available upon request*
- *Natural or patinated brass finishes available*



DIMENSIONS

WIDTH	100 cm
DEPTH	100 cm
HEIGHT	42 cm

APPROX. PRODUCT WEIGHT

WEIGHT	45 kg
--------	-------

APPROX. PACKAGING DIMENSIONS

PARCELS	1
WIDTH	110 cm
DEPTH	110 cm
HEIGHT	60 cm
TOTAL WEIGHT	65 kg