

QOCT03GM



QUAI D'ORSAY

ORFILA COFFEE TABLE, LARGE

Designed by Jean-Louis Deniot, 2026



ITEM NUMBER QOCT03GM

Brutalist-inspired coffee table with brass structure and textured glass top, designed by Jean-Louis Deniot.

DESCRIPTION & PRODUCTION

- Backpainted, textured glass top,
- Brass base.

- Made in Morocco,
- Made to order, each piece is signed and numbered.

quaidorsay.com

QOCT03GM

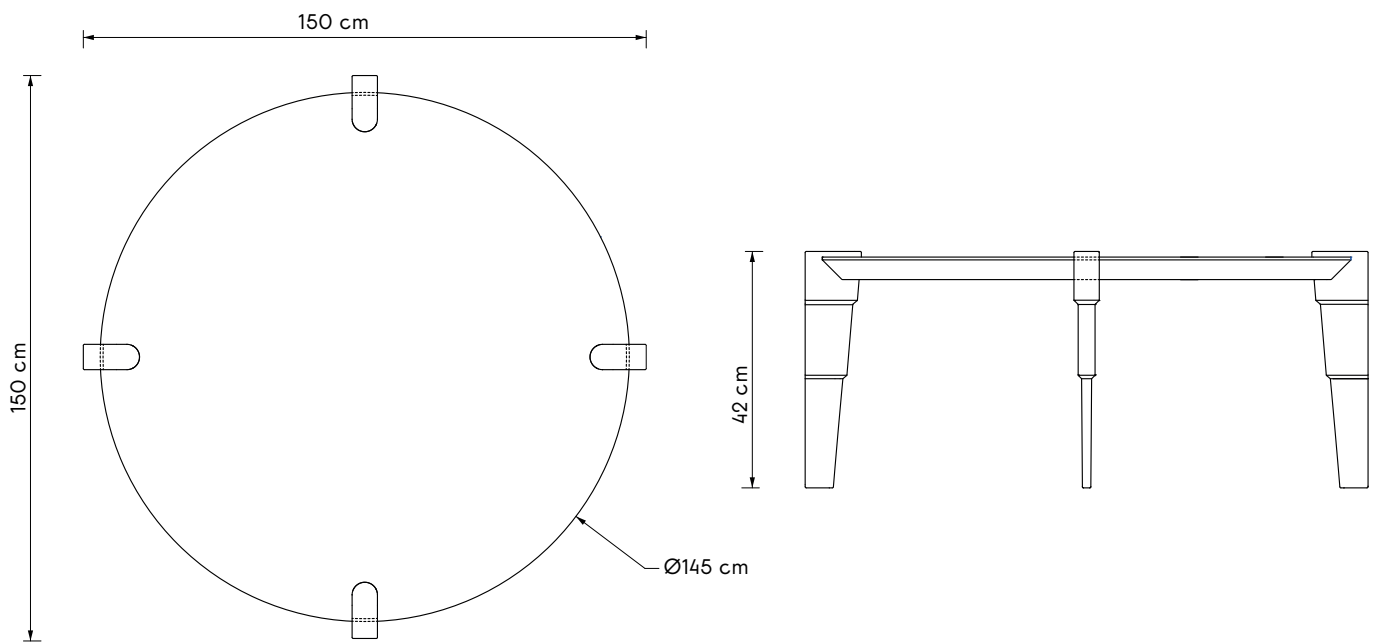
MATERIALS & AVAILABLE FINISHES

MATERIALS

- *Backpainted, textured glass*
- *Brass*

AVAILABLE FINISHES

- *Custom colors available upon request*
- *Natural or patinated brass finishes available*



DIMENSIONS

WIDTH	150 cm
DEPTH	150 cm
HEIGHT	42 cm

APPROX. PRODUCT WEIGHT

WEIGHT	55 kg
--------	-------

APPROX. PACKAGING DIMENSIONS

PARCELS	1
WIDTH	165 cm
DEPTH	165 cm
HEIGHT	60 cm
TOTAL WEIGHT	70 kg