

QOCT02PM



QUAI D'ORSAY

ORAN COFFEE TABLE, SMALL

Designed by Jean-Louis Deniot, 2026



ITEM NUMBER QOCT02PM

DESCRIPTION &
PRODUCTION

Trio of low nesting tables, sold separately or as a set, designed by Jean-Louis Deniot.

- *Wood base, matte lacquer finish,*
- *Backpainted, textured glass top,*
- *Brass setting.*

- *Made in Morocco,*
- *Made to order, each piece is signed and numbered.*

QOCT02PM

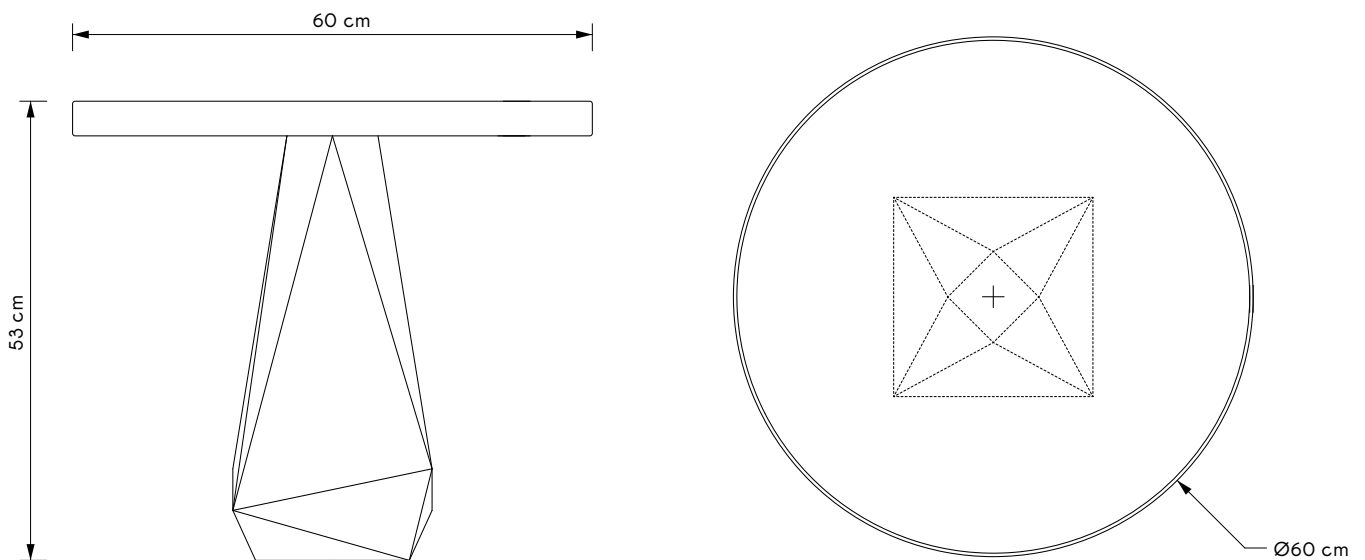
MATERIALS & AVAILABLE FINISHES

MATERIALS

- *Wood, matte lacquer finish*
- *Backpainted, textured glass*
- *Brass*

AVAILABLE FINISHES

- *Custom colors available upon request*
- *Natural or patinated brass finishes available*



DIMENSIONS

WIDTH	60 cm
DEPTH	60 cm
HEIGHT	53 cm

APPROX. PRODUCT WEIGHT

WEIGHT	40 kg
--------	-------

APPROX. PACKAGING DIMENSIONS

PARCELS	1
WIDTH	70 cm
DEPTH	70 cm
HEIGHT	65 cm
TOTAL WEIGHT	55 kg