

QOCT02MM



QUAI D'ORSAY

ORAN COFFEE TABLE, MEDIUM

Designed by Jean-Louis Deniot, 2026



ITEM NUMBER QOCT02MM

Trio of low nesting tables, sold separately or as a set, designed by Jean-Louis Deniot.

DESCRIPTION &
PRODUCTION

- *Wood base, matte lacquer finish,*
- *Backpainted, textured glass top,*
- *Brass setting.*

- *Made in Morocco,*
- *Made to order, each piece is signed and numbered.*

QOCT02MM

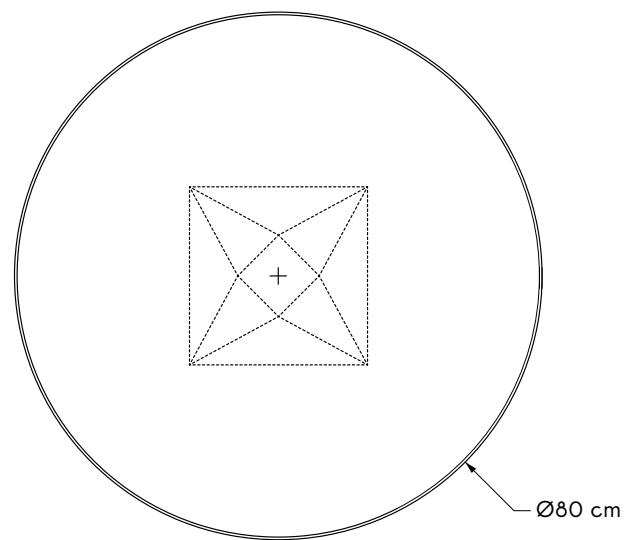
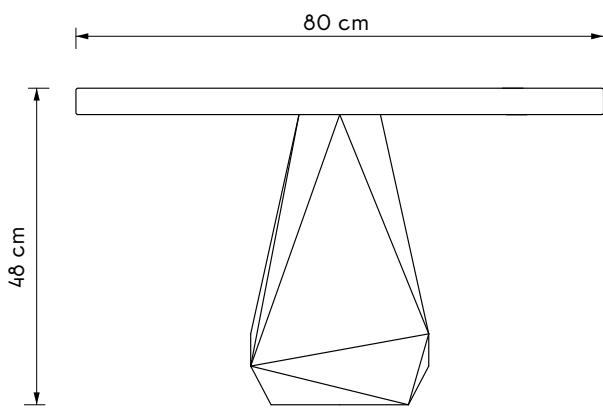
MATERIALS & AVAILABLE FINISHES

MATERIALS

- *Wood, matte lacquer finish*
- *Backpainted, textured glass*
- *Brass*

AVAILABLE FINISHES

- *Custom colors available upon request*
- *Natural or patinated brass finishes available*



DIMENSIONS

WIDTH	80 cm
DEPTH	80 cm
HEIGHT	48 cm

APPROX. PRODUCT WEIGHT

WEIGHT	40 kg
--------	-------

APPROX. PACKAGING DIMENSIONS

PARCELS	1
WIDTH	90 cm
DEPTH	90 cm
HEIGHT	60 cm
TOTAL WEIGHT	55 kg