

QOCT02GM



QUAI D'ORSAY

ORAN COFFEE TABLE, LARGE

Designed by Jean-Louis Deniot, 2026



ITEM NUMBER QOCT02GM

Trio of low nesting tables, sold separately or as a set, designed by Jean-Louis Deniot.

DESCRIPTION &
PRODUCTION

- *Wood base, matte lacquer finish,*
- *Backpainted, textured glass top,*
- *Brass setting.*

- *Made in Morocco,*
- *Made to order, each piece is signed and numbered.*

quaidorsay.com

QOCT02GM

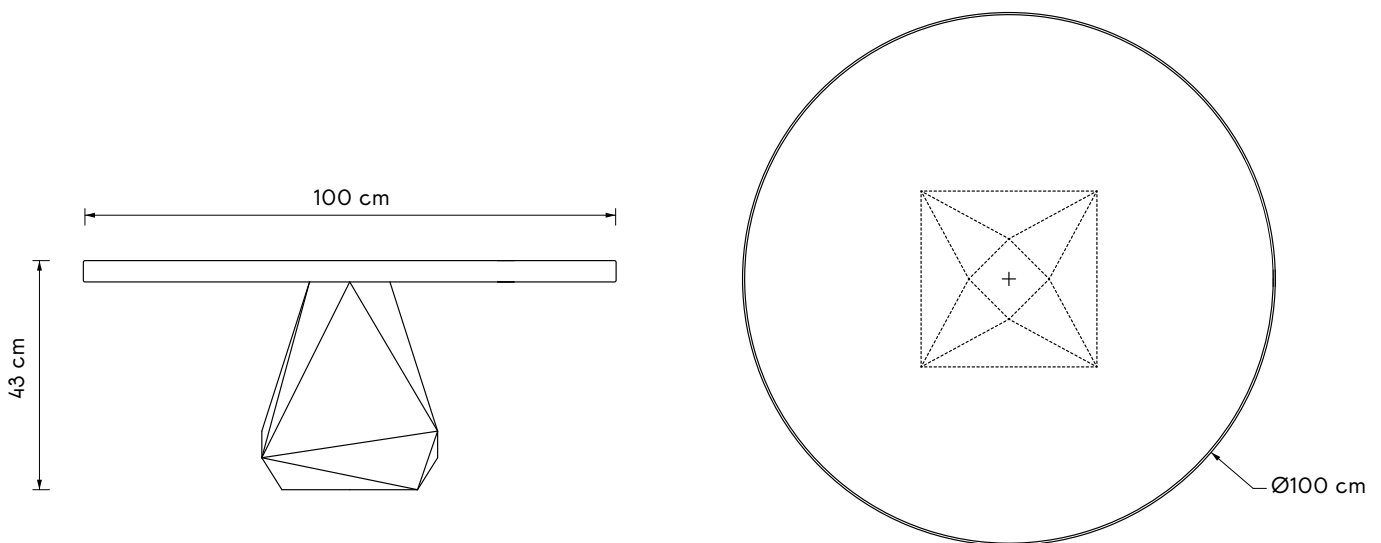
MATERIALS & AVAILABLE FINISHES

MATERIALS

- *Wood, matte lacquer finish*
- *Backpainted, textured glass*
- *Brass*

AVAILABLE FINISHES

- *Custom colors available upon request*
- *Natural or patinated brass finishes available*



DIMENSIONS

WIDTH	100 cm
DEPTH	100 cm
HEIGHT	43 cm

APPROX. PRODUCT WEIGHT

WEIGHT	45 kg
--------	-------

APPROX. PACKAGING DIMENSIONS

PARCELS	1
WIDTH	110 cm
DEPTH	110 cm
HEIGHT	60 cm
TOTAL WEIGHT	60 kg