

QOCHAI04



QUAI D'ORSAY

ORFÈVRES CHAIR

Designed by Jean-Louis Deniot, 2026



ITEM NUMBER QOCHAI04

A contemporary take on the medallion chair, reinterpreted into a minimalist expression by Jean-Louis Deniot

DESCRIPTION &
PRODUCTION

- *Brushed and hammered tubular aluminium structure, with champagne finish,*
- *Upholstered seat and back (2 ml fabric, back/seat 1 ml & 1 ml).*

- *Made in Portugal,*
- *Made to order, each piece is signed and numbered.*

quaidorsay.com

QOCHAI04

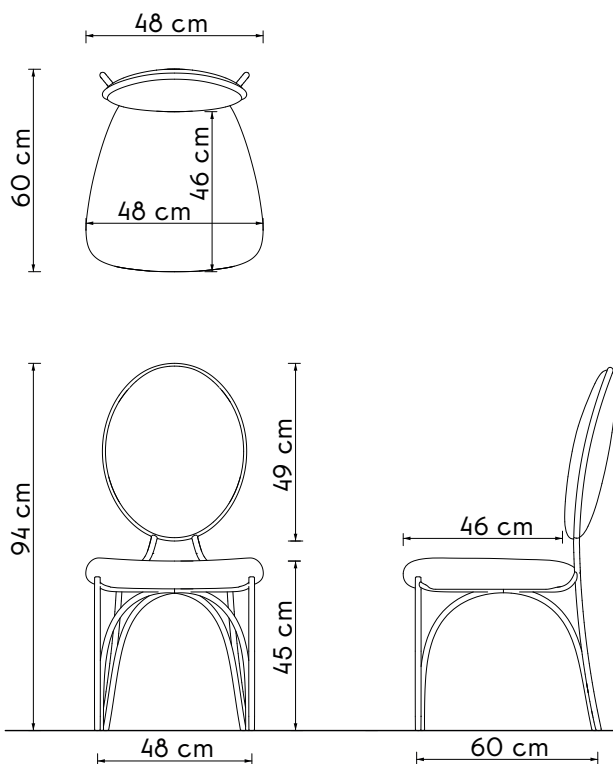
MATERIALS & AVAILABLE FINISHES

MATERIALS

- *Brushed and hammered tubular aluminium, with champagne finish*
- *Upholstered seat and back (2 ml fabric, back/seat 1 ml & 1 ml)*

AVAILABLE FINISHES

- *Fabric: QO selection or COM*



DIMENSIONS

WIDTH	48 cm
DEPTH	60 cm
HEIGHT	94 cm
SEAT HEIGHT	45 cm
SEAT WIDTH	48 cm
SEAT DEPTH	46 cm
BACKREST HEIGHT	49 cm

APPROX. PRODUCT WEIGHT

WEIGHT	13 kg
--------	-------

APPROX. PACKAGING DIMENSIONS

PARCELS	1
WIDTH	60 cm
DEPTH	70 cm
HEIGHT	110 cm
TOTAL WEIGHT	20 kg