

QOCHAI02



QUAI D'ORSAY

ORSAY CHAIR

Designed by Jean-Louis Deniot, 2026



ITEM NUMBER QOCHAI02

A contemporary interpretation of the medallion chair, a great classic of French furniture design. Conceived according to the architectural language of vaulted arches and inspired by the city of Paris. Designed by Jean-Louis Deniot.

DESCRIPTION &
PRODUCTION

- Solid oak structure, cerused finish,
- Upholstered seat and back (2 ml fabric, back/seat 1 ml & 1 ml),
- Metallic ornament on feet and back.

- Made in France,
- Made to order, each piece is signed and numbered.

quaidorsay.com

QOCHAI02

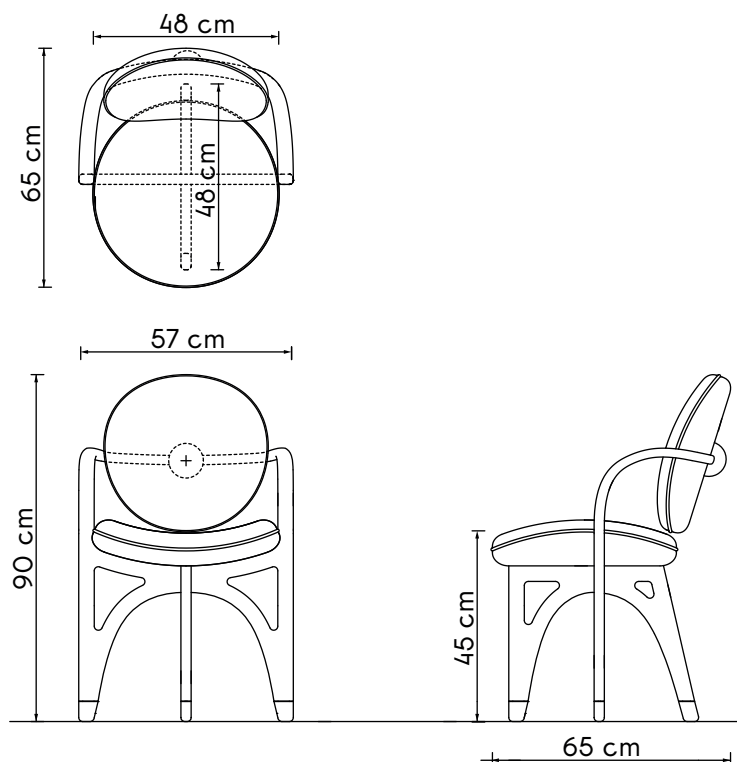
MATERIALS & AVAILABLE FINISHES

MATERIALS

- *Solid oak structure, cerused finish*
- *Metal-leaf ornament*
- *CMHR polyurethane foam*
- *Upholstered seat and back (2 ml fabric, back/seat 1 ml & 1 ml)*

AVAILABLE FINISHES

- *Fabric: QO selection or COM*
- *Selection of cerused oak finishes available*



DIMENSIONS

WIDTH	57 cm
DEPTH	65 cm
HEIGHT	90 cm
SEAT HEIGHT	45 cm
SEAT WIDTH	48 cm
SEAT DEPTH	48 cm

APPROX. PRODUCT WEIGHT

WEIGHT	12 kg
--------	-------

APPROX. PACKAGING DIMENSIONS

PARCELS	1
WIDTH	60 cm
DEPTH	75 cm
HEIGHT	110 cm
TOTAL WEIGHT	20 kg