

QOAPP08PM



QUAI D'ORSAY

---

## VERNEUIL WALL LIGHT 08, SMALL

Designed by Jean-Louis Deniot, 2026

---



ITEM NUMBER      QOAPP08PM

*Circular porcelain wall light with a floral motif, hand-sculpted by ceramic artist Virginie Boudsocq (Olga Etc). An exclusive collaboration with Jean-Louis Deniot for Quai d'Orsay.*

DESCRIPTION &  
PRODUCTION

- *Natural porcelain, matte finish,*
- *Gold mirror bulb.*
  
- *Made in France,*
- *Made to order, each piece is signed and numbered,*
- *Each piece is handmade and unique, slight variances will occur.*

quaidorsay.com

QOAPP08PM

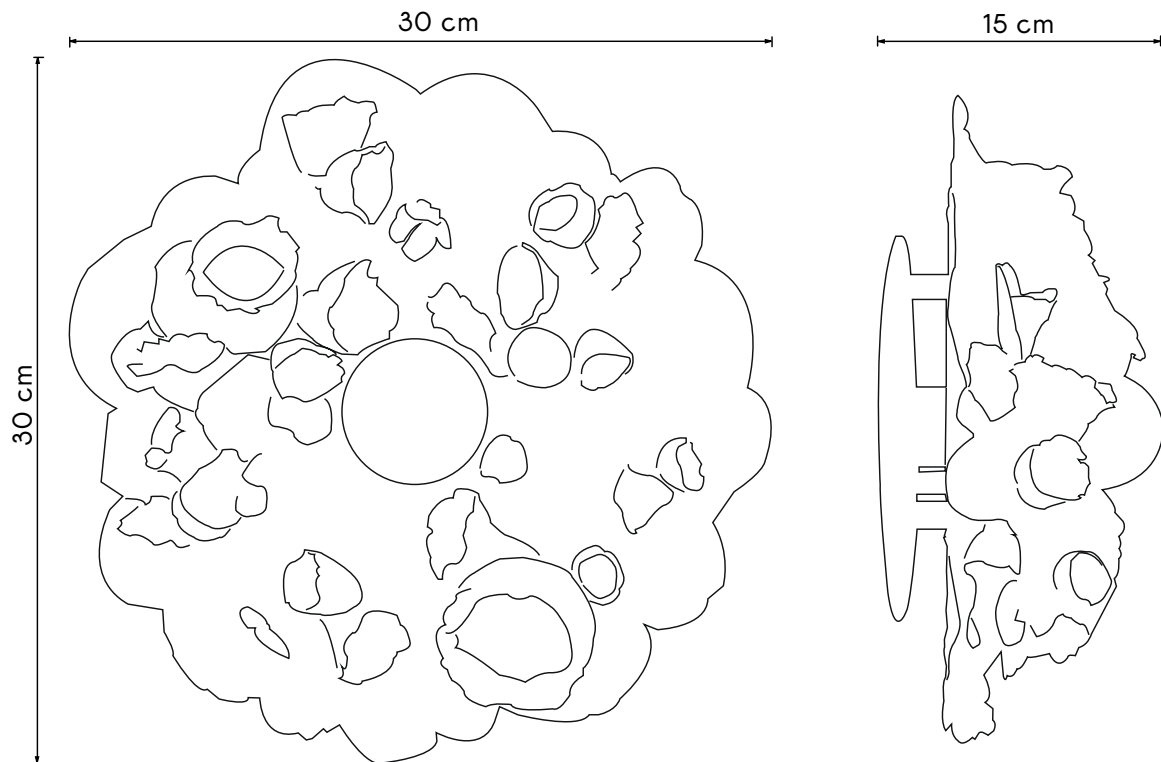
## MATERIALS & AVAILABLE FINISHES

### MATERIALS

- *Natural, unglazed porcelain*
- *Brass*

### AVAILABLE FINISHES

- *Selection of flower motifs available*



### DIMENSIONS

WIDTH 30 cm

DEPTH 15 cm

HEIGHT 30 cm

### ELECTRICAL

LIGHT BULB E27

For more information, click [here](#)

### APPROX. PRODUCT WEIGHT

WEIGHT 6 kg

### APPROX. PACKAGING DIMENSIONS

PARCELS 1

WIDTH 40 cm

DEPTH 40 cm

HEIGHT 30 cm

TOTAL WEIGHT 10 kg